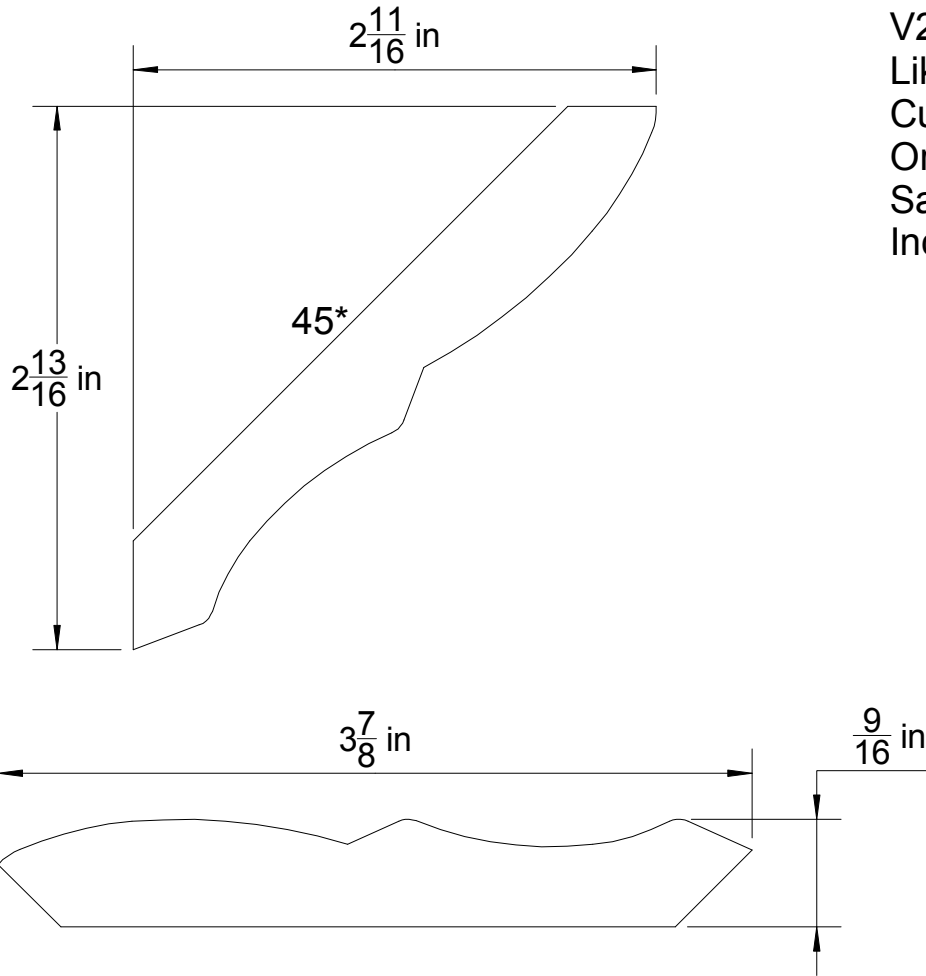
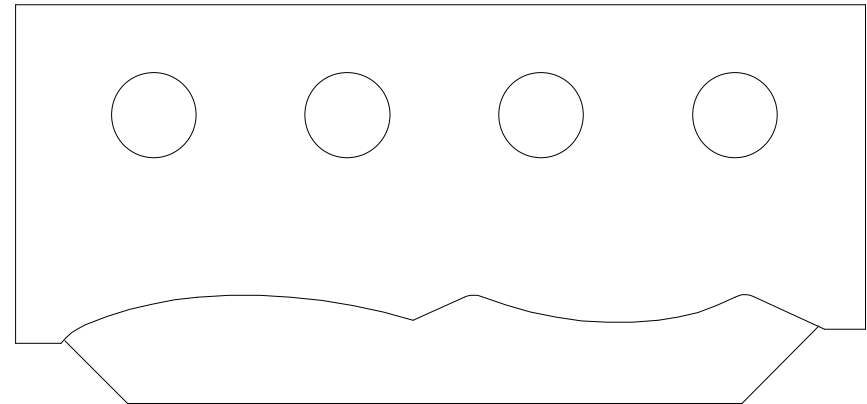


SPECIFICATIONS

MOULDING: Custom



V2 steel crown moulding knives for W&H and Shop Fox.
Like new, used for running one sample.
Customer changed mind and made modification for a new set.
Original sale price: 183.00
Sale price 75.00
Includes acrylic sharpening template.



As Viewed From Infeed